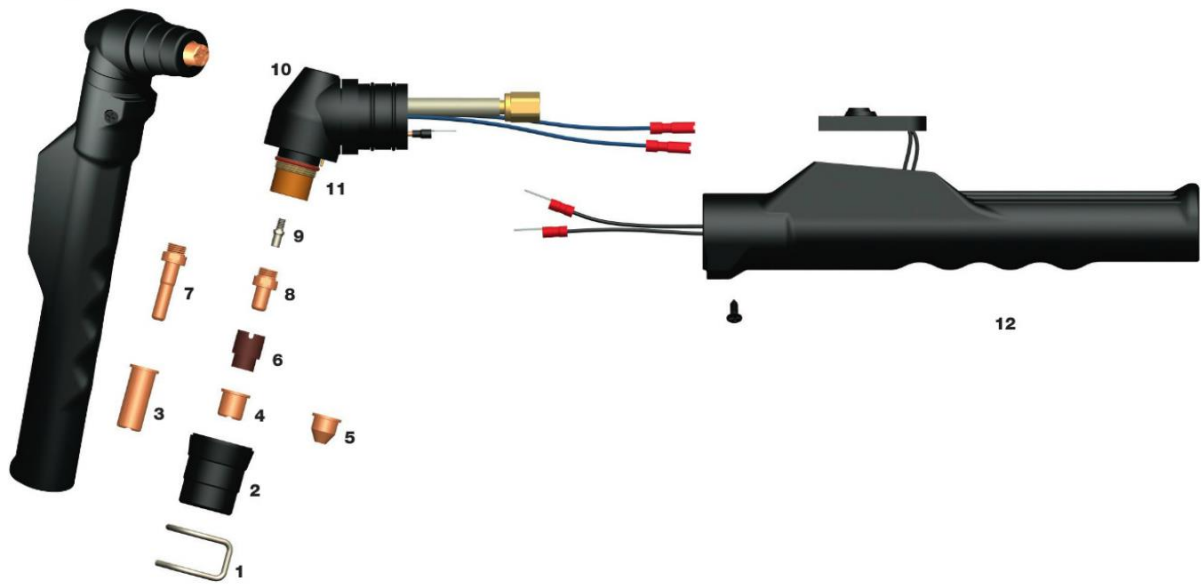


Cebora® Plasma Torch Packages

PROF 70

Rating: 70A @ 60% Duty Cycle, EN60974-7



Technical Data

Voltage Class	M
Standard Length	6mt
Air Consumption	180 l/min
Air Pressure	5 Bar
Duty Cycle 60%	70A
Start Method	HF Ignition – Pilot Arc

Torch Model

Stock Code	Description
C1564	Plasma Hand Torch Package x 6mt 1/8" BSP
C1573.20	Plasma Hand Torch Package x 6mt c/w Central Connector
C1566.20	Plasma Machine Torch Package x 12mt c/w Central Connector

Consumables

Stock Code	Description
1 C1394	Spacer Spring
2 C5.710.171	Nozzle Retaining Cap
3 C1395	Extended Cutting Tip 1.0mm – 50A
C1395/L	Extended Cutting Tip 1.2mm – 70A
4 C1396	Cutting Tip Long Life 1.0mm – 50A
C1308	Cutting Tip Long Life 1.2mm – 70A
5 C1305	Cutting Tip Long Life 1.0mm – Conical
6 C1510	Swirl Ring
7 C1403	Extended Electrode
8 C1402	Electrode
9 3.065.204	Diffuser
10 C1351	Torch Head c/w Diffuser
11 C3160067	O Ring – Torch Head
12 C1356	Handle c/w Switch